

INNOVATIONS IN MOBILITY

THE FMVSS
S-SERIES™
AND
K-SERIES™
LIFTS



INNOVATIVE WHEELCHAIR LIFTS
DESIGNED TO MEET YOUR SPECIFIC
ACCESSIBILITY REQUIREMENTS



 **Ricon**
A *Wabtec* company

THE RICON FMVSS S-SERIES™ AND K-SERIES™ LIFTS ELEVATE THE INDUSTRY STANDARD FOR EXCELLENCE



K-SERIES KLEARVUE™ LIFT PLATFORM FOLDS AUTOMATICALLY TO PROVIDE UNOBSTRUCTED VIEW BY PASSENGER AND DRIVER.

LINKAGE SPRINGS –
provide reliable performance
on uneven surfaces.

PERFORMANCE, RELIABILITY AND VALUE

Safety and dependability are the most important considerations when choosing a wheelchair lift, whether transporting passengers across town or children to school. Ricon S-Series and K-Series wheelchair lifts provide secure and reliable access while setting the industry standard for performance, value and ease of use. Compact and simple to operate, these innovative lightweight designs comply with all applicable ADA and FMVSS regulations.

Ricon was the first North American wheelchair lift manufacturer to achieve ISO 9001:2000 certification and all Ricon paratransit product designs are tested to meet or exceed the most rigorous elements of FMVSS 403/404, 49 CFR, part 38 (ADA), CSA D409, and the California Vehicle Code (CA Title 13).

- FMVSS and ADA compliant
- Easy to operate and maintain
- Automatic inboard/outboard rollstops
- Quiet Sto-Loc™ technology
- Stainless steel fittings
- Lubrication-free bearings
- Built-in manual backup system
- Standee handrails
- 5-Year Limited Warranty

Designed for "DOT PUBLIC USE" vehicles.
MADE IN THE U.S.A.

MAGNETIZED HAND
CONTROL PENDANT –
magnetized control
pendant can be attached
directly to the frame
when the lift is stowed
or loading.



MANUAL BACKUP SYSTEM – hand pump
mechanism provides manual lift operation
in case of power loss.

A Legacy of Innovation and Leadership

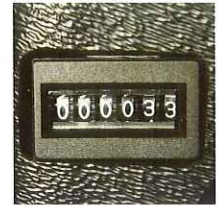
The Ricon S-Series and K-Series wheelchair lifts provide operators with extraordinary value and lasting performance. FMVSS compliant and always reliable, these models provide many design features to enhance the functionality, operation and passenger experience.

Every day millions of people in over 30 countries worldwide rely on Ricon wheelchair lifts. Since 1971 we have dedicated our business to the design, manufacture and installation of innovative commercial access products to meet the growing demands of the global passenger transportation industry. Today, as a Wabtec company and operating from our modern 225,000 square foot facility in Los Angeles, Ricon Corporation is the largest manufacturer of its kind in the world.



ADVANCED RICON LIFT TECHNOLOGY FEATURES
RELIABLE PERFORMANCE AND USER-FRIENDLY DESIGNS

THRESHOLD WARNING
BEACON – provides visible
warning when alarm is activated.



CYCLE COUNTER – tracks
usage for service and
maintenance reference.



HYDRAULIC CYLINDERS
WITH "EASY-REACH"
CONTROLS – provides
convenient access by
eliminating the need to
remove hose or fitting.

ONBOARD
PLATFORM
LIGHTING

PATENTED OCCUPANT
RESTRAINT BELT –
interlocked Ricon belt
design, combined with
outboard rollstop,
secures passengers
during lift operation.



AUTOMATIC INBOARD
ROLLSTOP – features
patented Sto-Loc™
to provide quieter ride
and limit lift drift (located
on reverse side of the
inboard rollstop).

SPRING-LOADED
MECHANICAL
OUTBOARD ROLLSTOP –
features durable
one-piece extruded
aluminum design.

FOR MORE INFORMATION, CALL 800-322-2884 OR VISIT US ONLINE AT RICONCORP.COM



S-SERIES™ AND K-SERIES™ FMVSS LIFTS

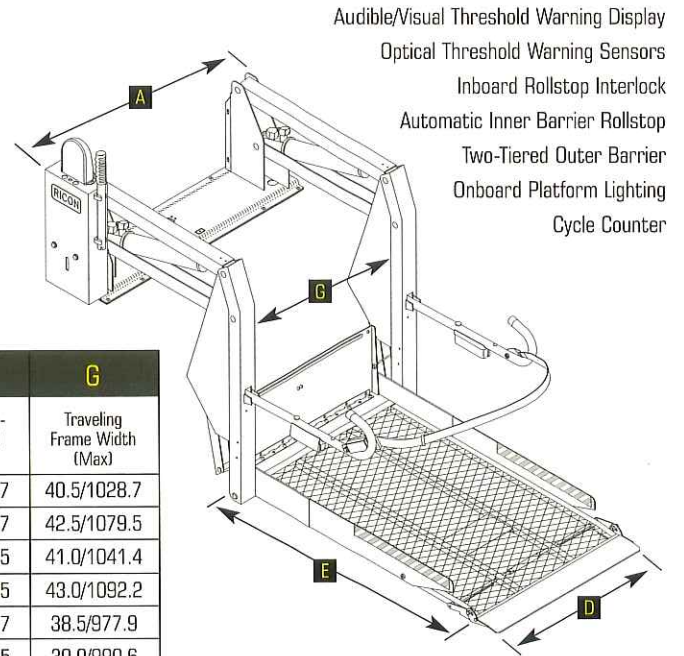
S-SERIES™ LIFT: Models: S2003-S5510

Rated Load Capacity.....Up to 800 lbs / 363 kg
 Lift Weight.....Approx. 340-370 lbs / 154-168 kg
 PowerElectro-Hydraulic
 Hydraulic Cylinders(2) each, 1.5" Power-Up / Gravity Down
 Pump Rating @ 12V DC65 amp avg. / cycle 1500 psi
 Pump Rating @ 24V DC32.5 amp avg. / cycle 1500 psi
 Manual Backup (up)Hand Pump
 Manual Backup (down).....Pressure Release Valve

Inches/Millimeters

MODEL	A	B	C	D	E	F	G
	Stationary Frame Width	Height (folded)	Installation Depth (folded)	Usable Platform Width	Usable Platform Length	Floor-to-Ground Travel	Traveling Frame Width (Max)
S2005	47/1194	54.0/1372.0	14/356	32/813	51/1295	42/1067	40.5/1028.7
S2010	49/1245	57.0/1448.0	14/356	34/864	54/1372	42/1067	42.5/1079.5
S5505	47/1194	57.5/1460.5	14/356	32/813	51/1295	51/1295	41.0/1041.4
S5510	49/1245	57.5/1460.5	14/356	34/864	54/1372	51/1295	43.0/1092.2
S2003*	45/1143	54.0/1372.0	14/356	30/762	51/1295	42/1067	38.5/977.9
S5503*	45/1143	57.5/1460.5	14/356	30/762	51/1295	51/1295	39.0/990.6

* Non-standard production order required



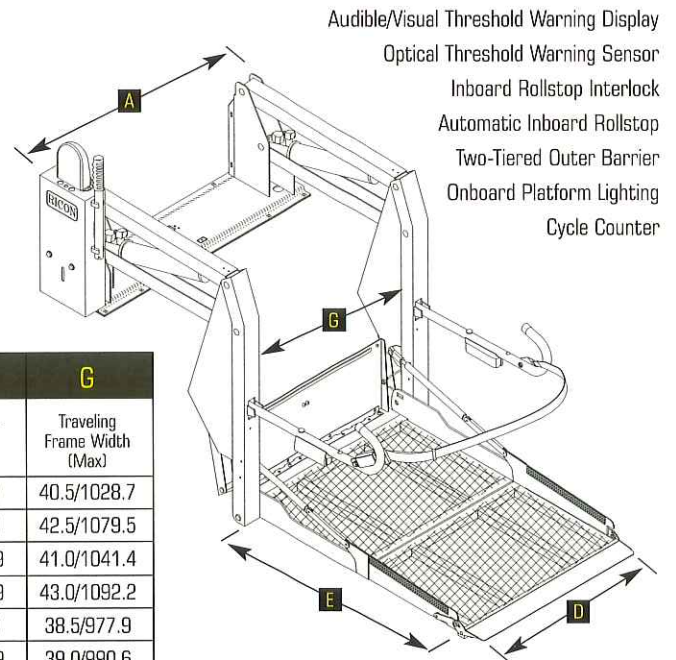
K-SERIES™ LIFT: Models: K2003-K5510

Rated Load Capacity.....Up to 800 lbs / 363 kg
 Lift Weight.....Approx. 340-370 lbs / 154-168 kg
 PowerElectro-Hydraulic
 Hydraulic Cylinders(2) each, 1.5" Power-Up / Gravity Down
 Pump Rating @ 12V DC65 amp avg. / cycle 1500 psi
 Pump Rating @ 24V DC32.5 amp avg. / cycle 1500 psi
 Manual Backup (up)Hand Pump
 Manual Backup (down).....Pressure Release Valve

Inches/Millimeters

MODEL	A	B	C	D	E	F	G
	Stationary Frame Width	Height (folded)	Installation Depth (folded)	Usable Platform Width	Usable Platform Length	Floor-to-Ground Travel	Traveling Frame Width (Max)
K2005	47/1194	54.0/1372.0	15.5/394	31/787	51/1295	37/940	40.5/1028.7
K2010	49/1245	54.0/1372.0	15.5/394	33/838	54/1372	37/940	42.5/1079.5
K5505	47/1194	57.5/1460.5	15.5/394	31/787	51/1295	48/1219	41.0/1041.4
K5510	49/1245	57.5/1460.5	15.5/394	33/838	54/1372	48/1219	43.0/1092.2
K2003*	47/1194	47.0/1194.0	15.5/394	29/737	51/1295	37/940	38.5/977.9
K5503*	45/1143	58.0/1473.0	15.5/394	30/762	51/1295	48/1219	39.0/990.6

* Non-standard production order required



CALL TOLL-FREE: 1-800-322-2884

RICONCORP.COM

RICON CORPORATION 7900 Nelson Road Panorama City, CA 91402

Copyright 2010 Ricon Corporation. Ricon, S-Series, K-Series, KlearVue and Sto-Loc are trademarks of Ricon Corporation. All Rights Reserved. Ricon Corp. reserves the right to discontinue models or options at any time or change specifications, materials, equipment, or pricing without notice and without incurring obligation.

PN 32SL625-B (05 10 2M)

