



Introducing the TRANSIT CONNECT Mobility Van



The ADA-compliant mobility conversion includes manual rear ramp, (1) wheelchair position with auto-retracting securement system, and OEM fold & tumble rear seat (60/40 3-passenger bench).

Performance, not Promises!

800-769-8267

MOBILITYWORKS®

ADAPTIVE VEHICLES

MAKING THE WORLD ACCESSIBLE

Transit Connect Mobility Van



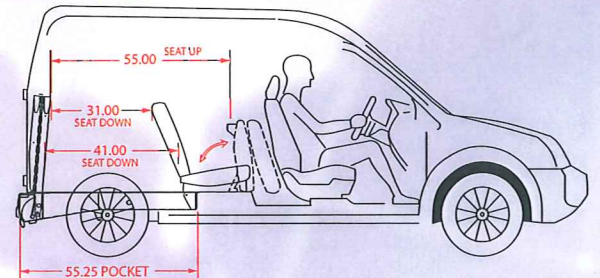
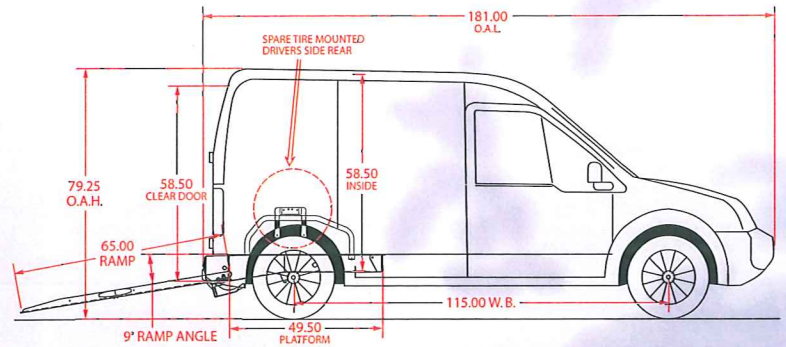
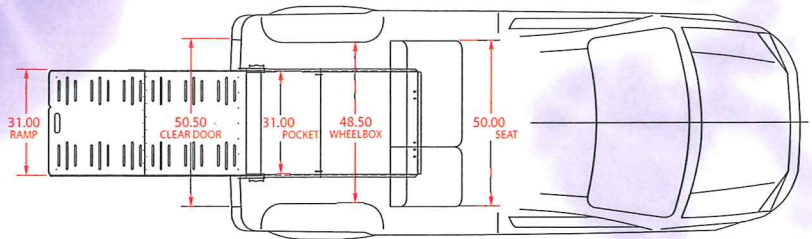
VEHICLE FEATURES

- Smaller than traditional full size wheelchair van – easier to handle
- Affordable alternative to converted minivan
- 22 mpg – great for high-mileage transport runs
- Manual ramp means lower maintenance costs
- A great fleet option for single wheelchair trips
- Seats 5 including driver; or 1 wheelchair + 3 ambulatory (including driver)
- Auto-retracting wheelchair securement system

VEHICLE SPECIFICATIONS* (inches)

Overall vehicle height	79.25"
Overall vehicle length	181"
Wheel base	115"
Rear door opening height	58.5"
Rear door opening width	50.5"
Interior height (mid-section)	58.5"
Max. interior width @ B-pillar	58.5"
Platform interior length	49.5"
Floor drop width	31"
Ramp width	31"
Ramp length	65"
Pan (pocket) length	55.25"
Angle of approach	9 degrees
Est. MPG	22 mpg
GVWR	4,965 lbs
Est available payload (without WC or passengers)	1,205 lbs

*Height measurements may vary based on suspension condition, gas levels & cargo loads. All estimated specifications are subject to change without notice.



The MobilityWorks Advantage

MobilityWorks is America's largest and most innovative mobility dealer. With sales and service centers across the country, we are the one-stop source for all your transportation needs.

- ❖ ADA-compliant wheelchair accessible minivans, full size vans and cutaway buses
- ❖ Ford's largest mobility bailment pool – E-series, regular or extended. Over 300 units in stock and ready to ship!
- ❖ Vans and buses with ambulatory seating up to 41
- ❖ Ford QVM upfitter
- ❖ All vehicles built to meet state DOT requirements
- ❖ Upfits can be customized to meet your unique specifications
- ❖ Compliant with FMVSS, OEM & ADA standards
- ❖ Government and fleet pricing concessions available to qualified buyers
- ❖ We work with all major fleet companies – GE Capital Fleet, ARI, PHH Arval, etc.
- ❖ Wide range of finance options available
- ❖ Delivery anywhere in the USA and Canada



1090 West Wilbeth Road, Akron, Ohio 44314

800-769-8267 • Fax 330-861-0281 • Email biz@mobilityworks.com • www.mobilityworks.com